



## SOLIS ROLLER BLINDS

Effective in the control of privacy, light, heat, UV and glare. Solis roller blinds are made with the largest collection of sustainable fabrics sourced worldwide, including sunscreen, light filtering, silver backed and blackout fabrics.

190 Willoughby Rd  
Crows Nest, NSW 2065

[info@solisproducts.com](mailto:info@solisproducts.com)  
+61 2 9439 9020

[www.solisproducts.com](http://www.solisproducts.com)

BLINDS

CURTAINS

SHUTTERS

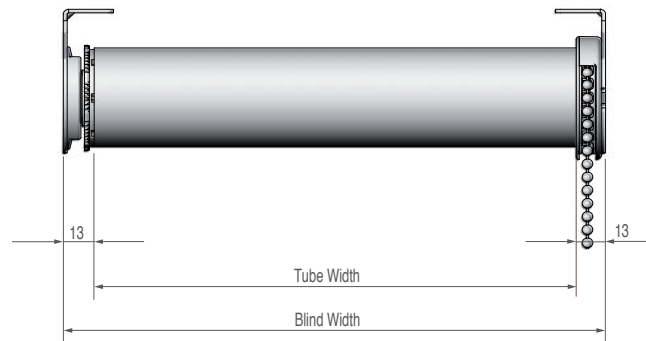
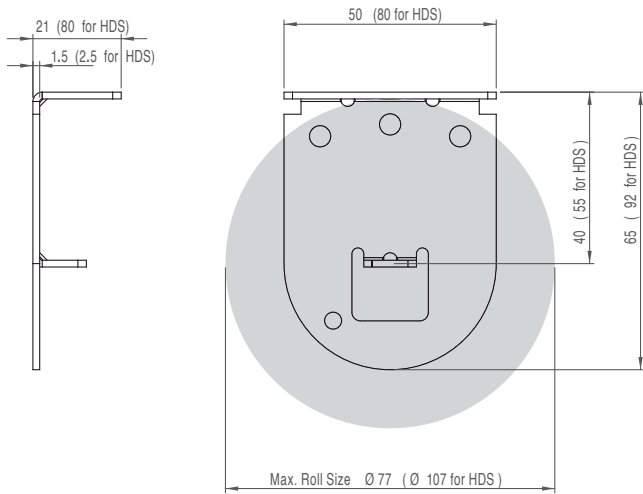
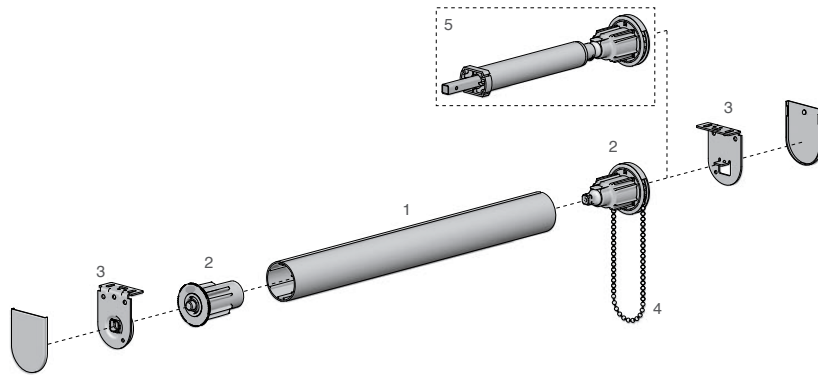
OUTDOOR

MOTORISATION

**SOLIS**

# SOLIS ROLLER BLINDS SPECIFICATIONS

Please note illustrations are not to scale. All measurements are in millimetres. Please contact your Solis Products representative for additional information.



## AVAILABLE SIZES

**WIDTH**  
3310mm max – 610mm min

**DROP**  
3300mm max

*Oversized blinds possible on Heavy Duty System (HDS), please enquire*

## ROLLER TUBE (1)

**MATERIAL**  
Extruded aluminium

**DIAMETER**  
43/44/49mm  
(depending on blind sizes)

## BRACKETS (3)

**MATERIAL**  
Powdercoated steel fixing angle with press formed pockets

**OPTIONS**  
Top or Face Fixing, Left or Right Control, Double Brackets, Multi-link

**COLOURS**  
Black, Grey, Barley, Sandstone, White (custom colours upon request)

## MOTORISATION (5)

**TYPE**  
Tubular motor mounted internally within the roller tube (650mm min blind width)

**OPTIONS**  
Suitable for automation systems, remote control, wifi, smart devices

## OPTIONS

Blackout Cassette (Side Channels with Headbox), Facia, Headbox, Side Channels, Stainless Steel Guide Wires

## SIZE RATIO

Guide wires are necessary, if roller blind exceeds the 3:1 ratio (drop to width)

## BASE BAR

**MATERIAL**  
Powder coated extruded aluminium

**SHAPE**  
Heavy duty, Round, Oval, D, D-silent (with rubber insert), Flat

**COLOUR**  
Chrome, Black, Bronze, Dune, Barley, Sandstone, White, Bone, Silver anodised, (custom colours upon request)

## MECHANISM (2)

**STANDARD CHAIN DRIVE**  
1:1 gearing, 5kg operation force

**SPRING ASSIST CHAIN DRIVE**  
1:1 gearing, light 4kg operation force (830mm min blind width)

**PREMIUM 'SOLRISE' CHAIN DRIVE**  
fast 1:2 gearing, super light 3kg operation force (restrictions apply, please enquire)

## COLOURS

Black, Grey, Barley, Sandstone, White

## CONTROL CHAIN

**MATERIAL**  
Stainless steel, metal or PVC

**COLOURS**  
Stainless Steel, Nickel, Black Nickel, Grey PVC, White PVC, Sandstone PVC, Barley PVC, Black PVC

**CHILD SAFETY DEVICE COLOURS**  
Black, Grey, White, Clear