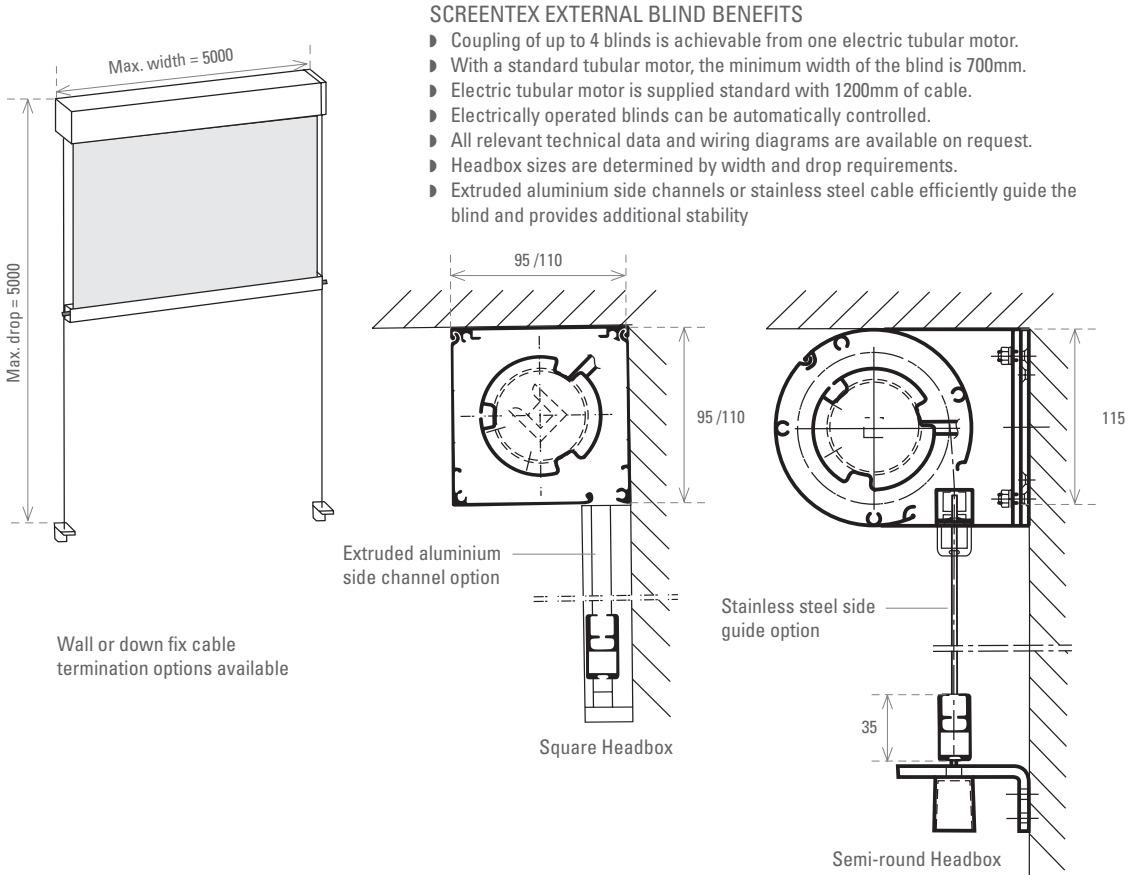


SCREENTEX EXTERNAL BLIND SPECIFICATIONS

Please note illustrations are not to scale. All measurements are in millimetres. Please contact your Viva Sunscreens representative for additional information.



SCREENTEX EXTERNAL BLIND BENEFITS

- ▶ Coupling of up to 4 blinds is achievable from one electric tubular motor.
- ▶ With a standard tubular motor, the minimum width of the blind is 700mm.
- ▶ Electric tubular motor is supplied standard with 1200mm of cable.
- ▶ Electrically operated blinds can be automatically controlled.
- ▶ All relevant technical data and wiring diagrams are available on request.
- ▶ Headbox sizes are determined by width and drop requirements.
- ▶ Extruded aluminium side channels or stainless steel cable efficiently guide the blind and provides additional stability

SIZES	
WIDTH	Max. 5000mm / Min. 700mm
DROP	Max. 5000mm / Min. 300mm
COVERAGE	Max. Area 15 SqM
TOP ROLLER	
MATERIAL	Extruded aluminium with additional webbing
DIAMETER	65mm - 80mm
WALL THICKNESS	3.5 mm
HEAD BOX	
MATERIAL	3 piece powder coated extruded aluminium
DIMENSION	Overall Height: 95-110mm, Overall Depth: 95-110mm (105mm for semi-round cassette)
BASE BAR	
MATERIAL	Powder coated extruded aluminium with end caps
SIZE	40mm diameter or 35mm x 18mm rectangle profile
CONTROL OPTIONS	
CRANK OPERATION	Cast aluminium, 5.1 ratio, Gear 130X with extruded aluminium crank mechanism
ELECTRIC MOTOR	Tubular motor mounted internally within top roller. Aluminium case complete with built-in limit switches. Extensive range of control options available
FIXING METHOD	
SQUARE HEADBOX	Top or face fix through headbox
SEMI-ROUND HEADBOX	Top or face fix at each end of system
SIDE GUIDE	
MATERIAL	3 or 5mm diameter 316 stainless steel cable with seafast turnbuckle
SIDE CHANNEL	
MATERIAL	Powder coated extruded aluminium
SIZE	20mm wide x 126mm depth
SIDE CHANNEL	
SUNSCREEN MESH	High tenacity polyester core yarn sunscreen - Oxygen S5 (5% openness) S15 (%15 openness) ranges

H/O 190 Willoughby Road, Crows Nest NSW 2065 Australia P +61 2 9439 0688 F +61 2 9439 9223 E products@vivascreens.com
 NZ Studio 10-3/1 Cleveland Road, Parnell Axis Bldg, Auckland P +64 9 379 0374 F +64 9 379 0378 E products@vivascreens.com