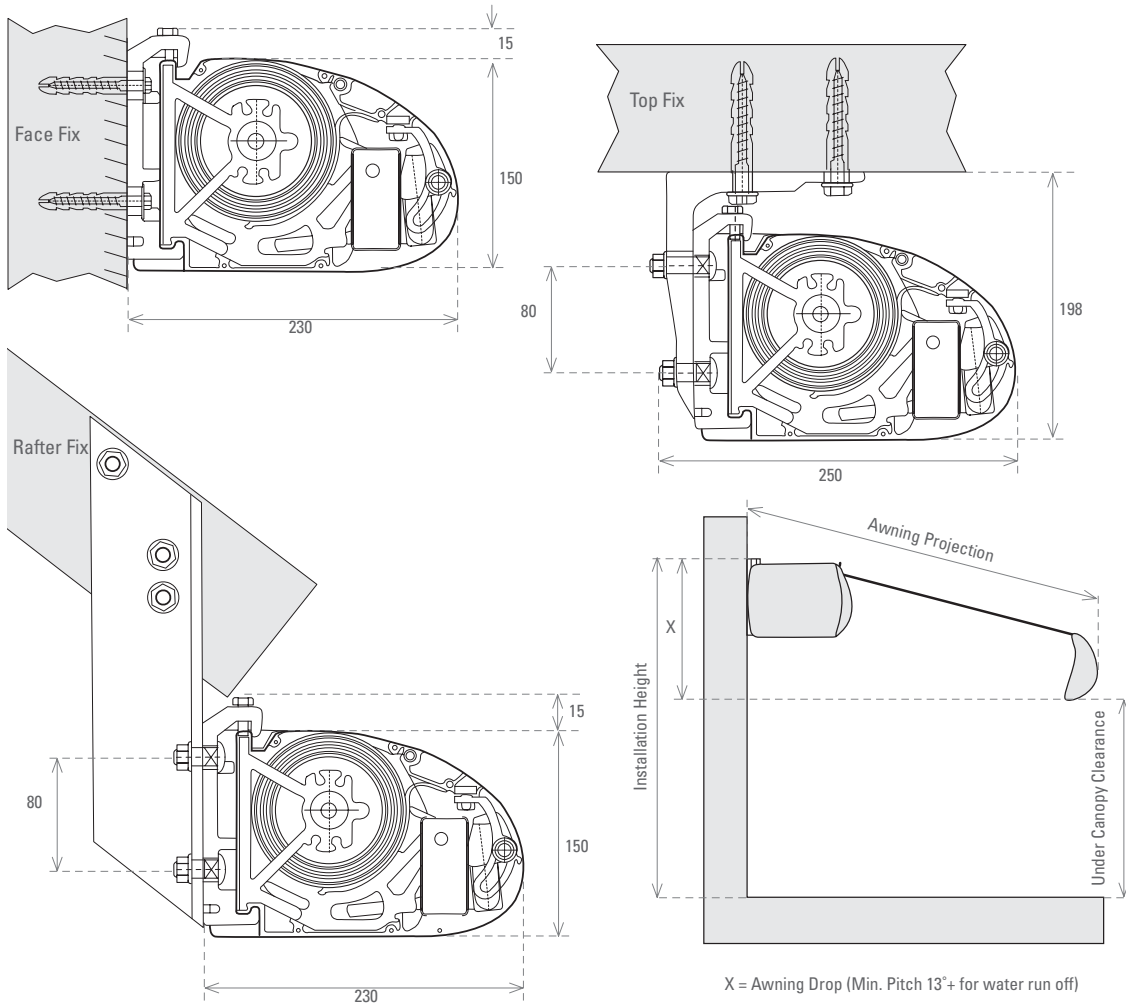


MARCHINI CASSETTE FOLDING ARM AWNING SPECIFICATIONS

Please note illustrations are not to scale. All measurements are in millimetres. Please contact your Viva Sunscreens representative for additional information.

FIXING METHODS



AVAILABLE SIZES

WIDTH	Max. 12000mm (over 7000mm coupled fabric applies) / Min. 2000mm
PROJECTION	Max. 3500mm / Min. 1500mm

HEADBOX

MATERIAL	6061 grade extruded aluminium
DIMENSION	Height: 165mm top/bottom, Depth: 230mm front/back
FINISH	Seven standard colours and 300 colours available in the European RAL Powder Coat Range

TOP ROLLER

MATERIAL	80mm diameter heavy-duty extruded aluminium
----------	---

ARM ASSEMBLY

MATERIAL	6061 grade extruded aluminium with 4mm wall thickness
INTERNAL SPRING ASSEMBLY	Heavy-duty 8 gauge tensile steel dual spring assembly with dual 3mm PVC coated 316 stainless steel cable providing unparalleled fabric tension

END CAPS

MATERIAL	Powder coated cast aluminium providing a minimal profile appearance ideal for reveal installations
----------	--

FIXING METHODS

TYPE	Concealed mounting brackets for face fixing, top fix and rafter brackets are also available
------	---

CONTROL OPTIONS

ELECTRICAL	Remote operation. Optional - wind, sun, rain sensors and timer or interface with BMS
MANUAL	Spring assisted crank operated gear mechanism

FABRIC OPTIONS

MARINE GRADE ACRYLIC	100% dope dyed acrylic "Sunacrylic" fibre - Available ranges include: Orchestra, Symphony, Opera
SUNSCREEN MESH	High tenacity polyester core yarn sunscreen - Available ranges include: Oxygen S5 (5% openness) S15 (%15 openness)

H/O 190 Willoughby Road, Crows Nest NSW 2065 Australia P +61 2 9439 0688 F +61 2 9439 9223 E products@vivascreens.com
 NZ Studio 10-3/1 Cleveland Road, Parnell Axis Bldg, Auckland P +64 9 379 0374 F +64 9 379 0378 E products@vivascreens.com