

## SOLIS VENETIAN BLINDS

With varying slat widths, colours and finishes choose SOLIS Venetian blinds for optimal control over light and privacy. Our Venetian blinds are available in timber, aluminium and faux-timber.

[info@solisproducts.com](mailto:info@solisproducts.com)

+61 2 9439 9020

[www.solisproducts.com](http://www.solisproducts.com)

BLINDS

CURTAINS

SHUTTERS

OUTDOOR

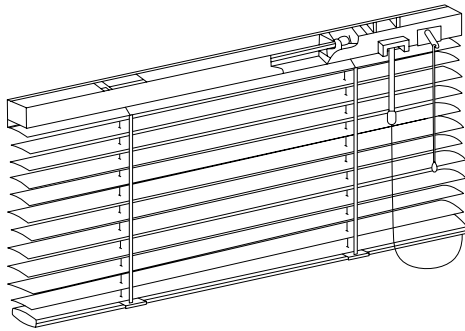
MOTORISATION

**SOLIS**

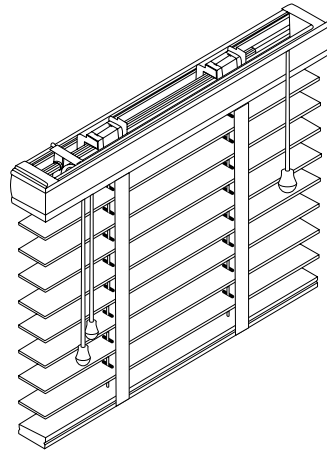
# SOLIS VENETIAN BLINDS SPECIFICATIONS

Please note illustrations are not to scale. All measurements are in millimetres. Please contact your Solis Products representative for additional information.

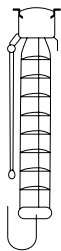
Aluminium Venetian Blind (1)



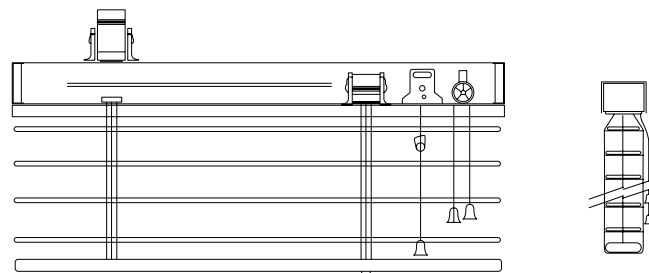
Timber Venetian Blind (2)



Aluminium Venetian Blind - Side view



Venetian Head Box with motorisation



## ALUMINUM (1)

### SLAT WIDTH

25mm / 50mm

### SLAT THICKNESS

0.21mm

### MATERIAL

Extruded aluminium alloy

### COLOURS

Coated 20+ colours

### OPTIONS

In between glass available

Hold down clips

### OPERATION

Cord

Wand

Motorised

## TIMBER (2)

### SLAT WIDTH

46mm / 50mm / 60mm  
63mm / 85mm

### SLAT THICKNESS

3mm / 4mm

### MATERIAL

Western Red Cedar

Basswood

PVC

### OPTIONS

12mm Cloth ladder Tape  
(not available in 85mm)

Hold down clips

Custom Shapes

Headrail Options

### FINISHES

Oiled

Lacquered

Stained

Painted

Sanded

Colour Matching

Custom Paint

### OPERATION

Cord Control

Cordless Hand Operation

Motorised