



## SOLIS ROLLER BLINDS

Effective in the control of privacy, light, heat, UV and glare. Solis roller blinds are made with the largest collection of sustainable fabrics sourced worldwide, including sunscreen, light filtering, silver backed and blackout fabrics.

[info@solisproducts.com](mailto:info@solisproducts.com)

+61 2 9439 9020

[www.solisproducts.com](http://www.solisproducts.com)

BLINDS

CURTAINS

SHUTTERS

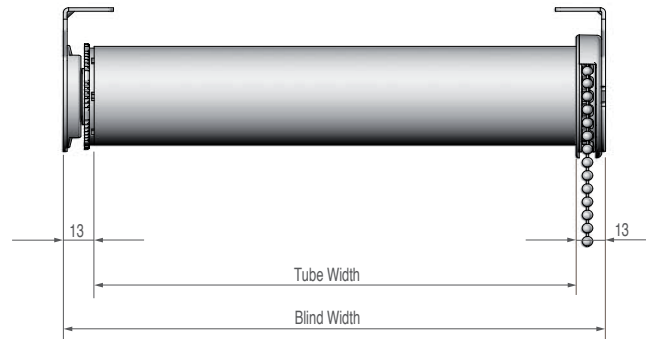
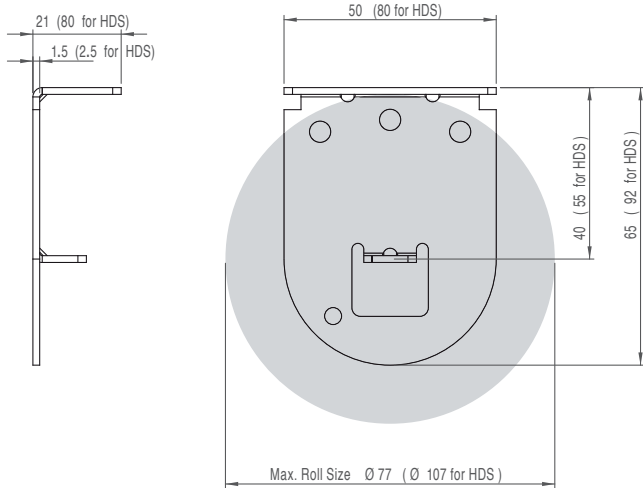
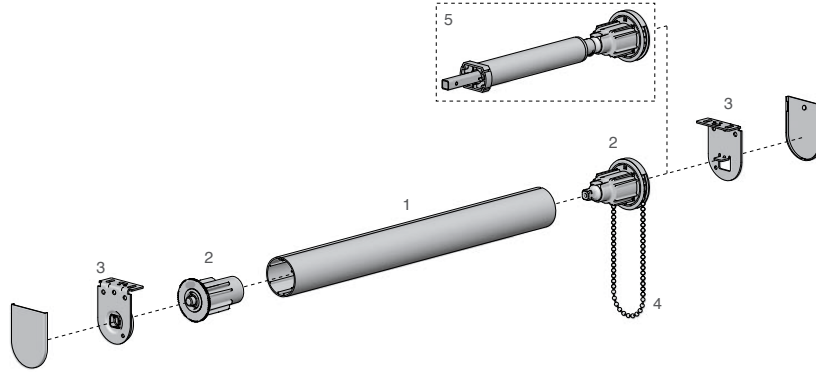
OUTDOOR

MOTORISATION

**SOLIS**

# SOLIS ROLLER BLINDS SPECIFICATIONS

Please note illustrations are not to scale. All measurements are in millimetres. Please contact your Solis Products representative for additional information.



## AVAILABLE SIZES

### WIDTH

3310mm max – 610mm min

### DROP

3300mm max

*Oversized blinds possible on Heavy Duty System (HDS), please enquire*

## ROLLER TUBE (1)

### MATERIAL

Extruded aluminium

### DIAMETER

43/44/49mm  
(depending on blind sizes)

## BRACKETS (3)

### MATERIAL

Powdercoated steel fixing angle with press formed pockets

### OPTIONS

Top or Face Fixing, Left or Right Control, Double Brackets, Multi-link

### COLOURS

Black, Grey, Barley, Sandstone, White (custom colours upon request)

## MOTORISATION (5)

### TYPE

Tubular motor mounted internally within the roller tube (650mm min blind width)

### OPTIONS

Suitable for automation systems, remote control, wifi, smart devices

## OPTIONS

Blackout Cassette (Side Channels with Headbox), Facia, Headbox, Side Channels, Stainless Steel Guide Wires

## SIZE RATIO

Guide wires are necessary, if roller blind exceeds the 3:1 ratio (drop to width)

## BASE BAR

### MATERIAL

Powder coated extruded aluminium

### SHAPE

Heavy duty, Round, Oval, D, D-silent (with rubber insert), Flat

### COLOUR

Chrome, Black, Bronze, Dune, Barley, Sandstone, White, Bone, Silver anodised, (custom colours upon request)

## MECHANISM (2)

### STANDARD CHAIN DRIVE

1:1 gearing, 5kg operation force

### SPRING ASSIST CHAIN DRIVE

1:1 gearing, light 4kg operation force (830mm min blind width)

### PREMIUM 'SOLRISE' CHAIN DRIVE

fast 1:2 gearing, super light 3kg operation force (restrictions apply, please enquire)

### COLOURS

Black, Grey, Barley, Sandstone, White

## CONTROL CHAIN

### MATERIAL

Stainless steel, metal or PVC

### COLOURS

Stainless Steel, Nickel, Black Nickel, Grey PVC, White PVC, Sandstone PVC, Barley PVC, Black PVC

### CHILD SAFETY DEVICE COLOURS

Black, Grey, White, Clear