



weinor

PREMIUM QUALITY  
MADE IN GERMANY



143

AUSTRALIA'S LARGEST RANGE  
OF FABRICS AND COLOURS

# I/K 2000

## N 2000

The I/K 2000 is the tried-and-tested, classic cassette awning – as an I 2000 without rear wall for level building façades, as the K 2000 with back plate for uneven bases. The sturdy weinor awning with its carrier bar can be used almost anywhere. As the decor on the front profile and the side caps suggest, the I/K 2000 tends towards a more traditional design. The optional LED light bar makes the awning part of any stylish evening. The N 2000 is literally a niche item: with its projection profile, the awning disappears almost completely into the facade – with simple, straight lines, it is designed to meet a specific need.

# CONTENTS

---

## TECHNICAL INFORMATION

---

**3-5** Overview and highlights

---

**5** Product benefits

---

**7-9** I/K/N 2000 Technology

---

**10-13** I/K/N 2000 Planning

---

**14-19** I/K/N 2000 Installation

---

## GENERAL INFORMATION

---

**20** Contact

---



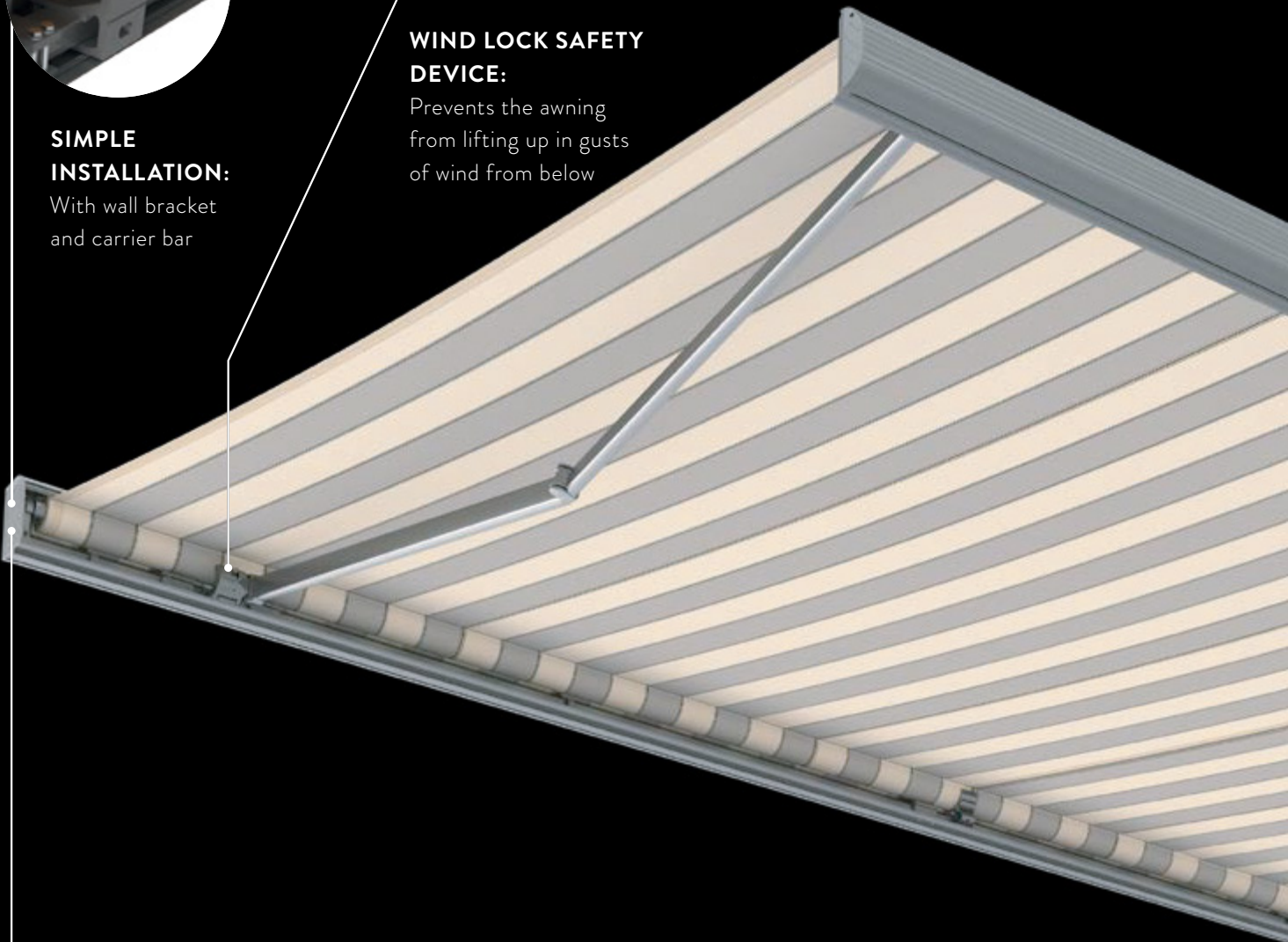


**SIMPLE  
INSTALLATION:**  
With wall bracket  
and carrier bar



**WIND LOCK SAFETY  
DEVICE:**

Prevents the awning  
from lifting up in gusts  
of wind from below



**I 2000:**  
Without back plate



**K 2000:**  
With back plate



**N 2000:**  
For niche installations

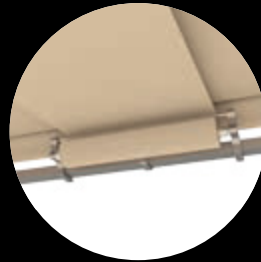


# I/K/N 2000 HIGHLIGHTS

## COUPLED/JOINED UNITS:

With roller supports

or jockey cover



## OPTIONAL LED DESIGN LIGHT BAR:

Highly energy-efficient



## WEINOR LONGLIFE ARM:

Very durable and low-noise



# I/K/N 2000 BENEFITS



## **I 2000: OPEN CASSETTE – PERFECT FOR WALL INSTALLATION:**

The I 2000 cassette awning is open on the side facing the wall.

- Extremely well suited to wall mounting, e.g. beneath roof overhangs
- Shapely front profile allows it to close precisely and provide perfect protection for fabric and fittings



## **K 2000: CLOSED CASSETTE – BACK PLATE FOR EXTRA PROTECTION:**

The K 2000 features an additional rear wall, completely closing it off.

- For every constructional situation
- Back plate profile makes it equally suitable for
  - wall installation
  - ceiling installation
  - rafter installation
  - installation on special brackets



## **LOGLIFE ARM – DURABLE, QUIET OPERATION:**

The LongLife arm features an exceptionally robust high-tech belt.

- Tested to more than 100,000 cycles
- Extremely quiet operation
- No maintenance required
- Drop forged aluminium in joint – light but highly robust

# I/K/N 2000 BENEFITS



## **N 2000: NICHE CASSETTE – FLUSH TO FACADE INSTALLATIONS:**

The N 2000 is specially designed for niche installation.

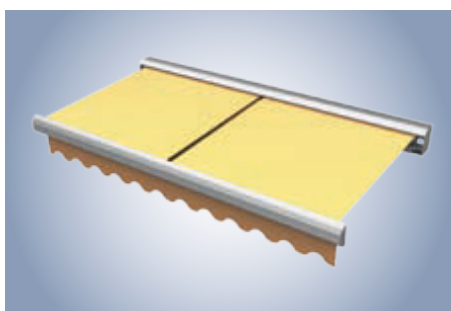
- Embedded in the building facade
- Edge of front profile fits flush with the building facade
- Tilting mechanism ensures the front profile closes securely



## **WIND LOCK SAFETY DEVICE – RELIABLE PROTECTION:**

The ultramodern technology prevents the awning from lifting up when wind gusts from below.

- Patented wind lock safety device
- Via a tilting mechanism, the front profile and awning arm are tilted when ascending
- Proven, maintenance-free technology
- All components made of forged and extruded aluminium



## **MULTI-SECTION UNITS – TO SHADE ESPECIALLY LARGE AREAS:**

The I/K 2000 also comes as a combined multi-section unit for very large terraces – coupled or in series.

- As a 2-part unit up to 1,200 cm
- Jockey cover or roller support with continuous fabric

# I/K/N 2000 TECHNOLOGY

I/K/N 2000 VERSIONS	KUBATA	KUBATA LED
<b>TECHNOLOGY</b>		
Max. width, 1-section/2-section with jockey cover or roller support	700 cm/1,200 cm	600 cm
Max projection	400cm	350cm
Cassette size (W x H)	198/200 mm x 211 mm	210 mm x 185 mm
Coupled systems	○	—
Gear drive	○	○
Motor drive	● as standard	● as standard
Angle of pitch on awning	5° to 40°	5° to 40°
Installation alternatives	can be installed on walls, ceilings and rafters	● integrated in bottom profile
LED lighting: (Design light bar)	○	○
LongLife arm	● as standard	● as standard
<b>ACCESSORIES</b>		
Tempura Quadra heating system	○	○
BiSens Agido-3V product protection sensor	○	○
Tempura Quadra heating system	○	○
<b>CONTROLS</b>		
Radio Control	○	○
<b>WEATHER SENSORS</b>		
Sun/wind sensor BiConnect BiSens SW-230 V	○	○
Sun/wind sensor solar powered BiConnect BiSens SW-Solar	○	○
Sun/wind/rain sensor BiConnect-BiSens-SWR-230V	○	○
<b>QUALITY</b>		

Tested up to

Wind resistance class 2 according to DIN 13561 (wind strength 5 on the Beaufort scale)

● Standard    ○ Option    — Not Available

# I/K/N 2000 TECHNOLOGY

## WEINOR BICONNECT RADIO CONTROLLER

PRODUCT	ELECTRONICS	BICONNECT CONTROL	REMOTE RECEIVER	TRANSMITTER
I/K/N 2000	I/K/N 2000 drive	<ul style="list-style-type: none"> <li>• BiRec receiver integrated into cassette</li> </ul>	BiRec MA-K	<ul style="list-style-type: none"> <li>• BiEasy 1M/5M/15M/15M Go! hand transmitter</li> <li>• App</li> <li>• 1MW-3V wall transmitter</li> </ul>
I/K/N 2000 LED	I/K/N 2000 drive and LED lighting	<ul style="list-style-type: none"> <li>• BiRec combi-receiver for main drive and LED light bar (with integrated power supply pack) integrated into light bar</li> <li>• Dimmable LED</li> </ul>	BiRec MA-K and BiRec LED	<ul style="list-style-type: none"> <li>• BiEasy 5M/15M/15M Go! hand transmitter</li> <li>• App</li> </ul>
Accessories (optional)	Tempura/Tempura Quadra heating system	<ul style="list-style-type: none"> <li>• Dimmable, additional receiver required</li> <li>• Installation of the receiver in the design bar provided for this purpose or the Tempura Quadra box</li> </ul>	BiRec HD	<ul style="list-style-type: none"> <li>• BiEasy 5M/15M/15M Go! hand transmitter</li> <li>• App</li> </ul>

Requires: awning with BiConnect remote control and sensors require a BiEasy 1M, 5M, 15M or 15M Go!

## SOMFY RTS RADIO TECHNOLOGY

PRODUCT	ELECTRONICS	SOMFY RTS CONTROL	REMOTE RECEIVER	TRANSMITTER
I/K/N 2000	I/K/N 2000 drive	<ul style="list-style-type: none"> <li>• Somfy RTS remote-controlled motor integrated into cassette</li> </ul>	Somfy RTS remote-controlled motor	<ul style="list-style-type: none"> <li>• Telis 1 RTS Pure/Telis 1 Soliris RTS Pure/Telis 4 RTS Pure/ Telis 4 Soliris RTS Pure hand transmitter</li> <li>• Smoove 1 wall transmitter</li> </ul>
I/K/N 2000 LED	I/K/N 2000 drive and LED lighting	<ul style="list-style-type: none"> <li>• Somfy RTS remote-controlled motor integrated into cassette</li> <li>• Additional Somfy receiver for the LED light bar (with downstream power supply pack) integrated into light bar</li> <li>• LED not dimmable</li> </ul>	Somfy RTS remote-controlled motor and Lighting Slim Receiver RTS	<ul style="list-style-type: none"> <li>• Telis 4 RTS Pure/Telis 4 Soliris RTS Pure hand transmitter</li> </ul>
Accessories (optional)	Tempura/Tempura Quadra heating system	<ul style="list-style-type: none"> <li>• Not dimmable, additional receiver required</li> <li>• Installation of the receiver in the design bar provided for this purpose or the Tempura Quadra box</li> </ul>	Heating Slim Receiver RTS Plug	<ul style="list-style-type: none"> <li>• Telis 4 RTS Pure/Telis 4 Soliris RTS Pure hand transmitter</li> </ul>

## SOMFY IO-HOMECONTROL® RADIO TECHNOLOGY

PRODUCT	ELECTRONICS	SOMFY IO-HOMECONTROL CONTROL	REMOTE RECEIVER	TRANSMITTER
I/K/N 2000	I/K/N 2000 drive	<ul style="list-style-type: none"> <li>• Somfy io remote-controlled motor integrated into cassette</li> </ul>	Somfy io remote-controlled motor	<ul style="list-style-type: none"> <li>• Situo 1 io Pure/Situo 5 io Pure/ Easy Sun io Pure Shine hand transmitter</li> <li>• Smoove 1 io Pure Shine wall transmitter</li> </ul>
I/K/N 2000 LED	I/K/N 2000 drive and LED lighting	<ul style="list-style-type: none"> <li>• Somfy io remote-controlled motor integrated into cassette</li> <li>• Additional Somfy receiver for the LED light bar (with downstream power supply pack)integrated into light bar</li> <li>• LED not dimmable</li> </ul>	Somfy io remote-controlled motor and Lighting Receiver io	<ul style="list-style-type: none"> <li>• Situo 5 io Pure/Easy Sun io Pure Shine hand transmitter</li> </ul>
Accessories (optional)	Tempura/Tempura Quadra heating system	<ul style="list-style-type: none"> <li>• Not possible with Somfy io control</li> </ul>		



# I/K/N 2000 TECHNOLOGY

## HARD WIRED WITH SOMFY CONTROL

PRODUCT	ELECTRONICS	HARD WIRED SOMFY CONTROL	CONTROL
I/K/N 2000	I/K/N 2000 drive	<ul style="list-style-type: none"> <li>• Somfy control for awning drive</li> </ul>	e.g. Soliris Smoove Uno
I/K/N 2000 LED	I/K/N 2000 drive and LED lighting	<ul style="list-style-type: none"> <li>• Somfy control for awning drive</li> <li>• Switch on site for the LED light bar</li> <li>• LED power supply pack integrated into light bar</li> <li>• LED not dimmable</li> </ul>	e.g. Soliris Smoove Uno and suitable light switch (on site)
Accessories (optional)	Tempura/Tempura Quadra heating system	<ul style="list-style-type: none"> <li>• Not dimmable</li> </ul>	Suitable switch (on site)

## HARD WIRED (EXISTING SWITCH/POWER SUPPLY ON SITE)

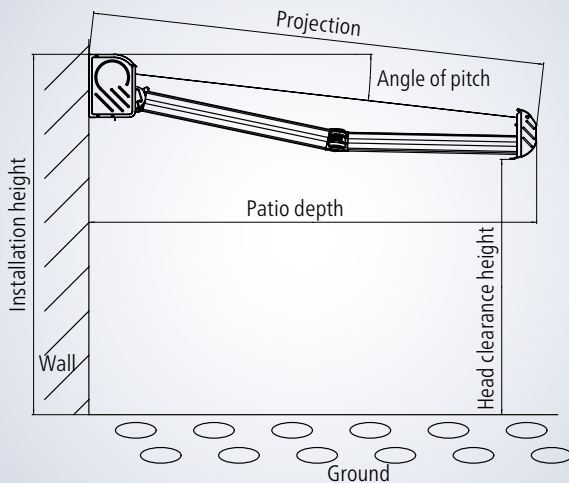
PRODUCT	ELECTRONICS	HARD WIRED SOMFY CONTROL	CONTROL
I/K/N 2000	I/K/N 2000 drive	<ul style="list-style-type: none"> <li>• Awning switch for the awning drive</li> </ul>	e.g. double rocker switch (on site)
I/K/N 2000 LED	I/K/N 2000 drive and LED lighting	<ul style="list-style-type: none"> <li>• Awning switch for the awning drive</li> <li>• Switch on site for the LED light bar</li> <li>• LED power supply pack integrated into light bar</li> <li>• LED not dimmable</li> </ul>	e.g. double rocker switch and suitable light switch (on site)
Accessories (optional)	Tempura/Tempura Quadra heating system	<ul style="list-style-type: none"> <li>• Not dimmable</li> </ul>	Suitable switch (on site)



**NOTE:**  
PLEASE SEE THE "ACCESSORIES" TECHNICAL BROCHURE  
FOR FURTHER DETAILS REGARDING THE DRIVE AND CONTROL

Some options are subject to a surcharge. For prices, please refer to the weinor awnings price list.

# I/K/N 2000 PLANNING



## SITE MEASUREMENTS – DETERMINING THE PROJECTION AND HEAD CLEARANCE HEIGHT

- Find the projection by looking in the “Projection” table for the terrace depth.
- Using the projection from the table and the required angle of pitch, consult the “head clearance height” table for the head clearance height. This head clearance height refers to an installation height of 300 cm.
- Add/subtract the difference between 300 cm and the actual installation height to/from the head clearance height in the table.

### DETERMINING THE PROJECTION

PITCH ANGLE	TERRACE DEPTH IN CM					
	150	200	250	300	350	400
5°	150	200	250	300	350	400
15°	160	210	260	310	360	400
25°	170	220	270	330	390	400

Projection in cm (rounded figures)

This table can be used to find the awning projection for any given horizontal patio depth.

### DETERMINING THE CLEARANCE HEIGHT

PITCH ANGLE	PATIO DEPTH IN CM					
	150	200	250			
5°	270	270	270	260	260	250
15°	250	240	220	210	200	180
25°	220	200	180	160	140	120

Head clearance height in cm (rounded figures)

This table is used to find the head clearance heights for various projections when the angle of pitch is 5°, 15° or 25°. This table is based on the example of an installation height of 300 cm

# I/K/N 2000 PLANNING

## WALL BRACKET

### SIZES AND BRACKET RECOMMENDATIONS



WIDTH IN CM	NUMBER OF ARMS	PROJECTION IN CM (IRREGULAR FIGURES POSSIBLE)					
		150	200	250	300	350	400
- 250	2	○	○	○			
251 - 300	2	○	○	○	○		
301 - 350	2	○	○	○	○	○	
351 - 400	2	○	○	○	○	△	○
401 - 450	2	△	△	△	△	▲	○
451 - 500	2	△	△	△	△	▲	▲
501 - 550	2	△	△	△	▲	▲	▲
551 - 600	2	△	△	△	▲	▲	▲
601 - 650	2	△	△	△	▲	▲	▲
651 - 700	3	●	●	●	△	△	△

### WALL MOUNTING ON C20/25 CONCRETE

with up to 200-mm facing, wind resistance class 2 and a permissible centric tensile load of 5.71 kN for anchor bolts

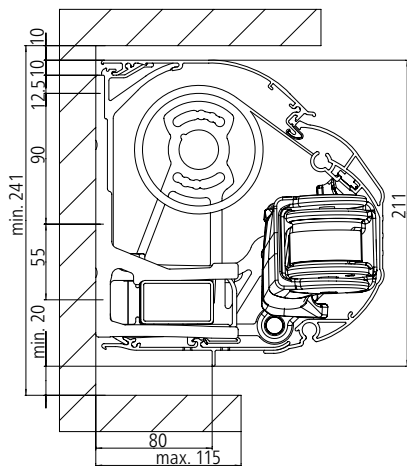
- 2 I/K/N 2000 standard wall brackets, 85 mm
- 4 I/K 2000 wall brackets 85 mm
- 2+1 I/K 2000 wall brackets 2 (260) + 1 (85)
- △ 2 I/K/N 2000 standard wall brackets, 85 mm
- ▲ 5 I/K/N 2000 wall brackets 85 mm and
- △ 7 Standard wall brackets 85 mm



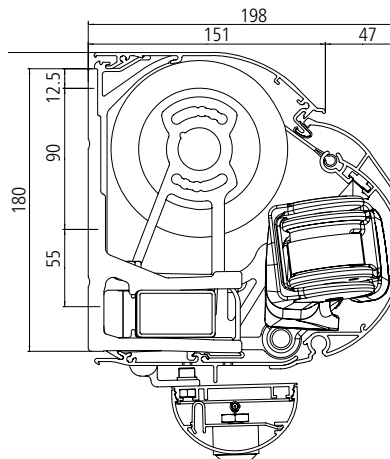
# I/K/N 2000 PLANNING

## CROSS-SECTIONS

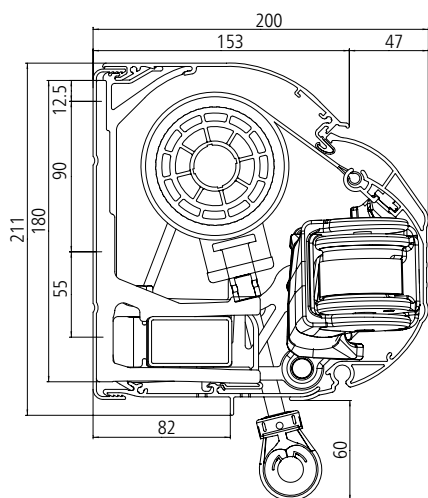
**I 2000 (WITHOUT BACK PLATE)  
NICHE INSTALLATION**



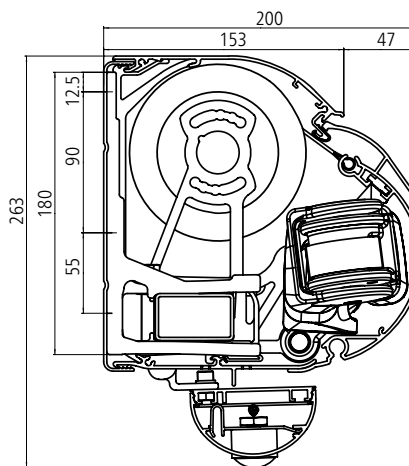
**I 2000 (WITHOUT BACK PLATE)  
WITH LED DESIGN LIGHT BAR**



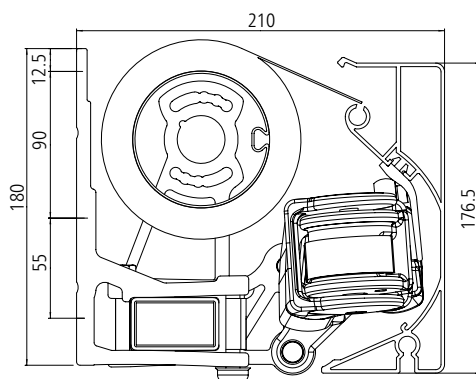
**K 2000 WITH GEAR BOX (WITH BACK PLATE)**



**I 2000 (WITH BACK PLATE)  
WITH LED DESIGN LIGHT BAR**



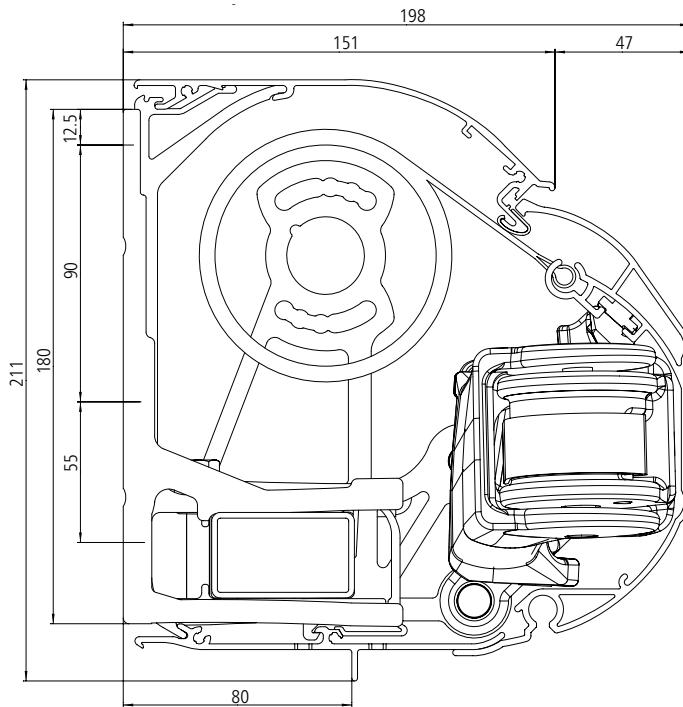
**N 2000**



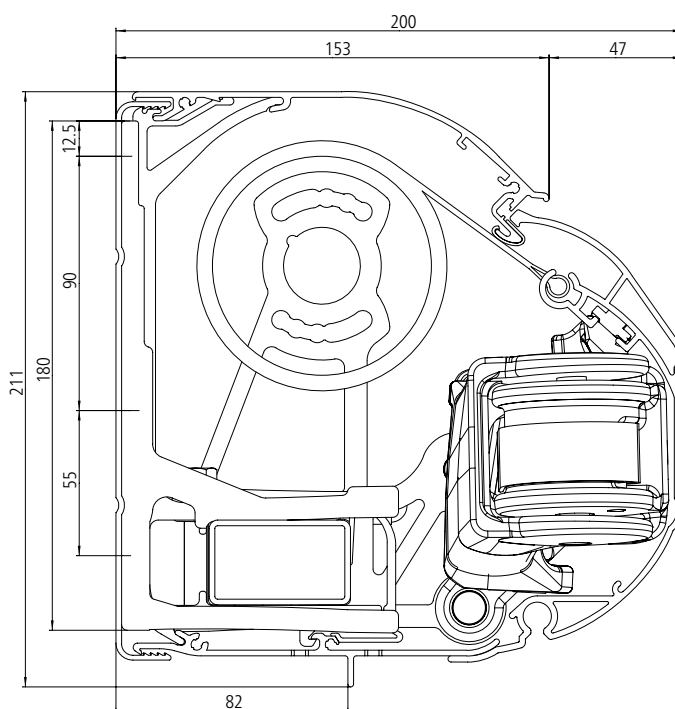
# I/K/N 2000 PLANNING

## CROSS-SECTIONS

### I 2000 (WITHOUT BACK PLATE)



### K 2000 (WITH BACK PLATE)



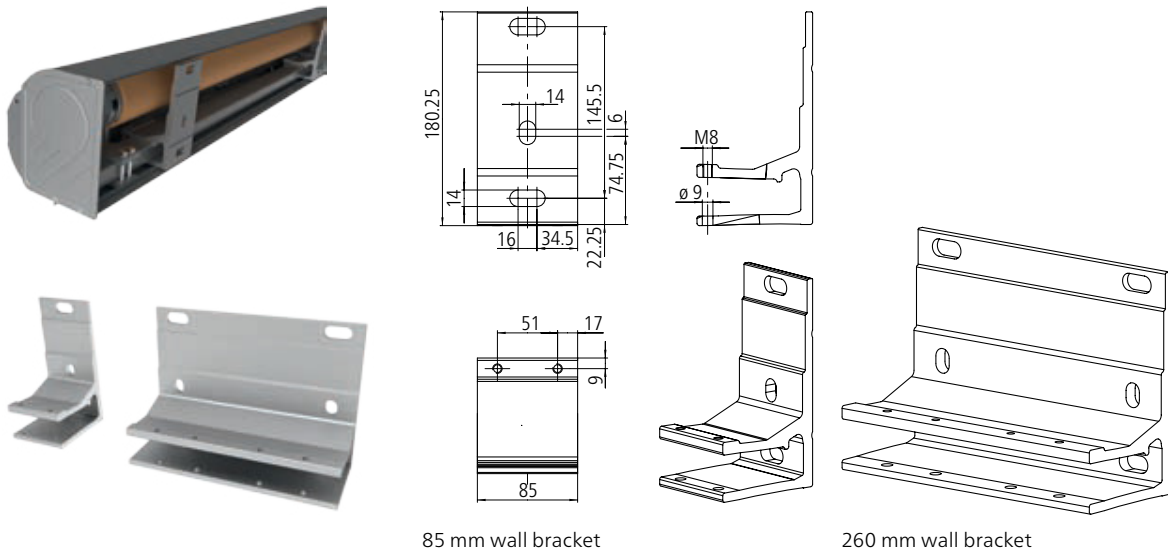


# I/K/N 2000 INSTALLATION

INSTALLATION ON WALLS, CEILINGS AND RAFTERS IS POSSIBLE

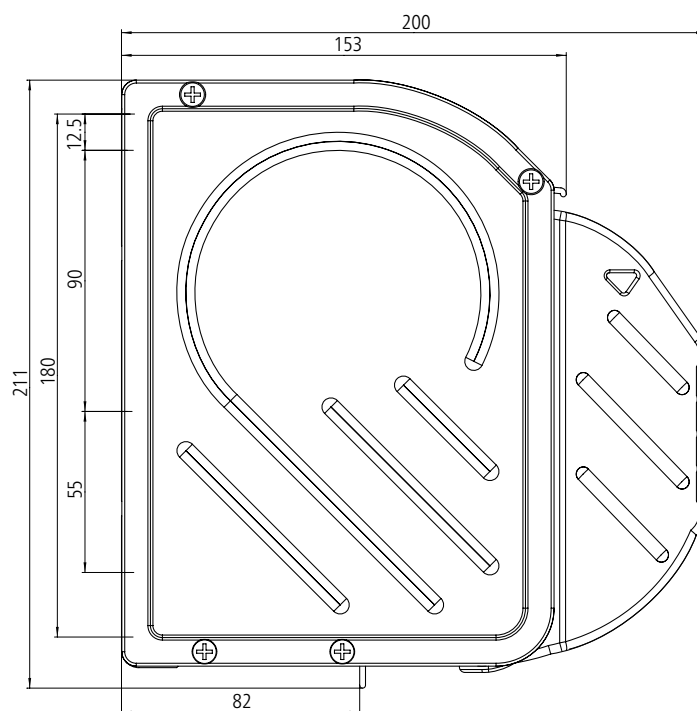
Its dimensions mean that the K2000 can be mounted in a wide range of ways: not only on a wall but also on a ceiling or a rafter. The I 2000, open at the rear, is designed for wall installation, while the N 2000 is intended as a special product for niches. The brackets are made of extruded, powder-coated aluminium.

## WALL MOUNTING – BRACKETS



85 mm wall bracket

260 mm wall bracket



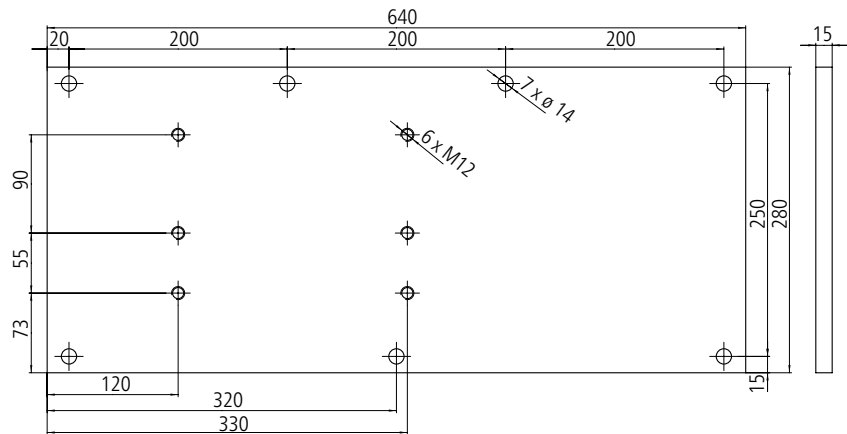
Side view with 85 mm wall bracket

# I/K/N 2000 INSTALLATION

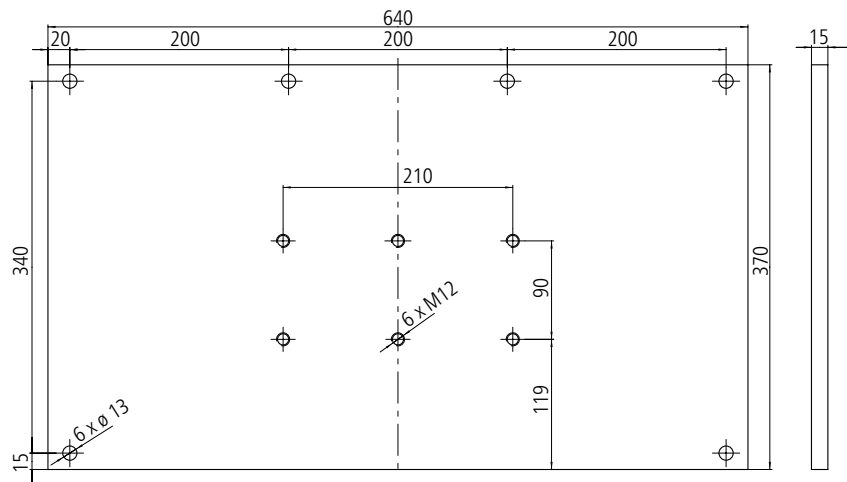
## WALL MOUNTING – MOUNTING PLATES



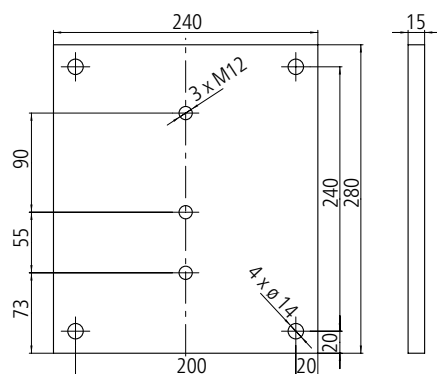
Mounting plate 640 x 280 x 15 mm



Mounting plate 640 x 370 x 15 mm

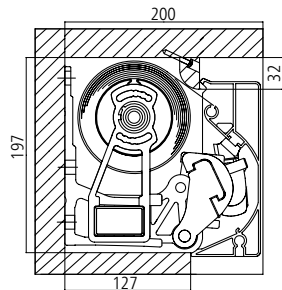


Mounting plate 240 x 280 x 15 mm

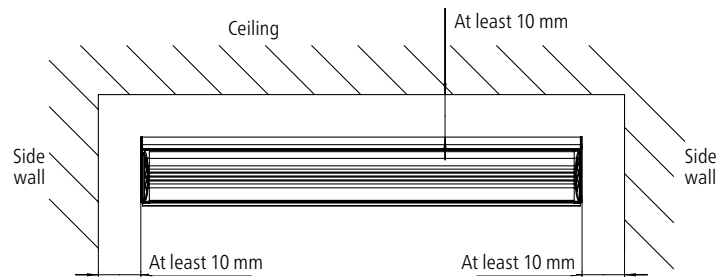


# I/K/N 2000 INSTALLATION

## MINIMUM SPACING DISTANCES FOR INSTALLATION

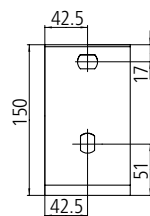
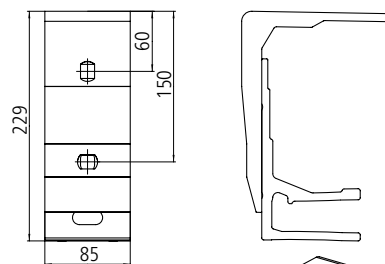


Type N niche installation

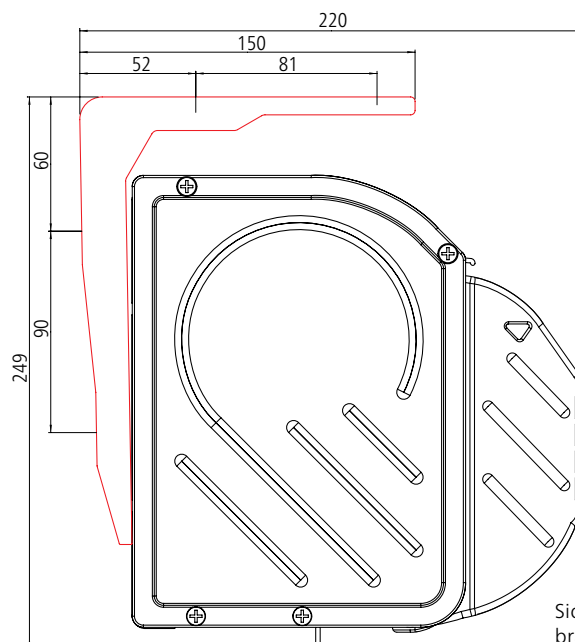


Type I und Type K with niche installation

## CEILING MOUNTING



Ceiling bracket



Side view with ceiling bracket



# I/K/N 2000 INSTALLATION

## EXTRACTION FORCES

The extraction force is the force with which the weight of the awning and the wind load pull on each upper fixing. The tables indicate this force in N per upper fixing. It varies depending on the awning size and the wall bracket/mounting plate used.

Selecting the wall bracket and anchoring system:

1. Consult relevant table for extraction force per fixing for selected awning size.
2. Select a wall bracket/mounting plate for which there is fixing material which can resist the indicated extraction force. Remember to take into account the spacing, the area which will be damaged if the fixing breaks out, the type of fixing material used and the mounting base.

See separate bracket overview for other bases.

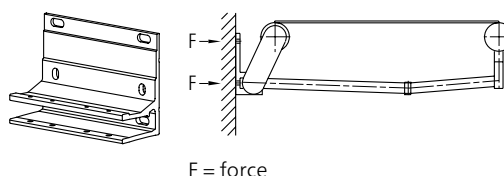
	1 standard wall bracket (85 mm) plus 1 standard wall bracket (85 mm) as a central bracket from 401 cm, 1 standard wall bracket (85 mm) per awning arm, Fasteners: 4 in all
	1 standard wall bracket (85 mm) as a central bracket from 401 cm, 2 standard wall brackets (85 mm) per awning arm, Fasteners: 8 in all or 1 wall bracket (260 mm) plus 1 standard wall bracket (85 mm) as a central bracket from 401 cm, 1 wall bracket (260 mm) per awning arm, Fasteners: 8 in all
	1 wall bracket (260 mm) plus 1 standard wall bracket (85 mm) as a central bracket from 401 cm, 2 wall brackets (260 mm) per awning arm, Fasteners: 16 in all
	Mounting plate (280 x 240 mm) incl. 1 standard wall bracket (85 mm), standard wall bracket (85 mm) incl. base plate, Fasteners: 8 in all

## WALL MOUNTING ON C20/25 CONCRETE

with up to 200 mm of facing extraction force in N per upper fixing for wall bracket

WIDTH IN CM	PROJECTION IN CM					
	150	200	250	300	350	400
250	932	1979	1955			
	466	990	978			
	233	495	489			
	270	400	568			
300	1076	1595	2257	2971		
	538	798	1129	1486		
	269	399	564	743		
	312	462	654	862		
350	1220	1811	2560	3372	4399	
	610	906	1280	1686	2200	
	305	453	640	843	1100	
	354	526	742	978	1276	
400	1364	2028	2862	3773	4912	6908
	682	1014	1431	1887	2456	3554
	341	507	716	943	1228	1727
	396	588	830	1094	1424	2004
450	1508	2244	3164	4174	5425	7653*
	754	1122	1582	2087	2713	3827
	377	561	791	1044	1356	1913
	438	650	918	1210	1574	2220
500	1652	2461	3466	4575	6736	8398*
	826	1231	1733	2288	3368	4199
	413	615	867	1144	1684	2100
	480	714	1006	1326	1954	2436
550	1796	2677	3768	5533	7331*	9143*
	898	1339	1884	2767	3666	4572
	449	669	942	1383	1833	2286
	520	776	1092	1634	2126	2868
600	1940	2894	4070	6095	7927*	9888*
	970	1447	2035	3048	3964	4944
	485	724	1018	1524	1982	2472
	562	840	1180	1768	2298	3084
650	2085	3110	4925	6558	8522*	10633*
	1043	1555	2463	3249	4261	5317
	521	778	1231	1640	2131	2658
	604	902	1428	1902	2472	3300
700	1486	2217	3514	4680	6079	7585
	743	1109	1757	2340	3040	3793
	372	554	879	1170	1520	1896
	430	642	1018	1358	1762	2200

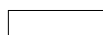

\* 2 brackets required per awning arm

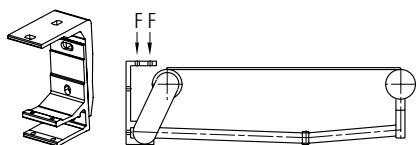






# I/K/N 2000 INSTALLATION

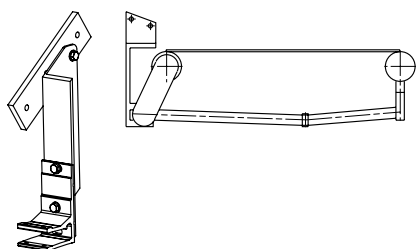
## EXTRACTION FORCES

-  1 ceiling bracket with standard wall bracket (85 mm), 1 ceiling bracket with standard wall bracket as central bracket from 401 cm,
- 1 ceiling bracket with standard wall bracket (85 mm) per awning arm, Fasteners: 4 in all
-  1 ceiling bracket with standard wall bracket (85 mm), 1 ceiling bracket with standard wall bracket as a central bracket from 401 cm,
- 2 ceiling brackets with standard wall brackets (85 mm) per awning arm, Fasteners: 8 in all



F = force

-  1 rafter bracket plus 1 standard wall bracket (85 mm), one of each for left and right, 1 rafter bracket plus 1 standard wall bracket (85 mm as central bracket from a width of 401 cm
-  1 rafter bracket plus 1 mounting plate for rafters plus 1 standard wall bracket (85 mm), one of each for right and left, 1 rafter bracket plus 1 mounting plate for rafters plus 1 standard wall bracket (85 mm) as a central bracket from a width of 401 cm



## CEILING INSTALLATION (ON C20/25 CONCRETE)

Extraction force in N per upper fastener in ceiling bracket

WIDTH IN CM	PROJECTION IN CM					
	150	200	250	300	350	400
250	1035	1524	2159	2846	3741	
	518	762	1080	1423	1871	
300	1202	1771	2500	3297	4318	
	601	886	1250	1649	2159	
350	1370	2017	2841	3749	4896	
	685	1009	1421	1875	2448	
400	1537	2263	3182	4200	5473	7650*
	769	1132	1591	2100	2737	3825
450	1705	2510	3523	4652	6051*	8483*
	853	1255	1762	2326	3026	4242
500	1852	2756	3864	5103	7473*	9316*
	926	1378	1931	2552	3737	4658
550	2039	3002	4205	62398	8138*	10149*
	1020	1501	2103	3120	4069	5075
600	2207	3249	4546	6755*	8803*	10982*
	1104	1625	2273	3378	4402	5491
650	2374	3495	5451	7270*	9467*	11815*
	1187	1748	2726	3635	4734	5907**
700	1278	2495	3891	5190	6755	8433
	639	1248	1946	2595	3378	4217

\* 2 brackets required per arm

\*\* Use dowels with permissible extraction force > 5.71 kN

## RAFTER MOUNTING

SHEAR FORCES IN N PER BRACKET FOR RAFTER MOUNTING

WIDTH IN CM	PROJECTION IN CM					
	150	200	250	300	350	400
250	1352	2004				
	621	885				
300	1562	2319	3294			
	721	1027	1421			
350	1773	2634	3734	4940		
	821	1169	1614	2102		4215
400	1983	2949	4174	5526	7223	11236
	921	1312	1807	2353	3033	4672
450	2194	3264	4614	6112	7962	11236
	1021	1454	2000	2605	3353	4672
500	2405	3579	5054	6698	4916	6157
	1121	1596	2193	2857	2062	2564
550	2615	3894	5495	8181	5350	6704
	1221	1738	2386	3472	2245	2793
600	2826	4209	5935	8853	5785	7250
	1321	1881	2578	3758	2429	3021
650	3036	4524	7114	9525	6220	7796
	1421	2023	3070	4045	5223	3249
700	2389	3499	5431	7223	4715	5892
	1174	1623	2404	3129	2011	2487



**AWNING**



**AWNING**  
with Valance Plus  
and Tempura



**AWNING**  
with Valance Plus  
and Paravento



**PERGOLA AWNING**  
Plaza Viva and Paravento

AWNINGS

PERGOLA AWNINGS

CUSTOMISED,  
SYSTEMISED SOLUTIONS



**PERGOLA AWNING**  
weinor PergoTex II

PATIO ROOFS AND GLASOASE®



**PERGOLA AWNING**  
weinor PergoTex II  
with VertiTex II  
and Tempura



**TERRAZZA PATIO ROOF**  
with Sottezza II sun protection



**GLASOASE®**  
with conservatory awning  
WGM Top and full glass  
sliding door w17 easy



**TERRAZZA PURE  
PATIO ROOF**  
with lateral SUPER LITE  
fixed glazing

info@solisproducts.com  
+61 2 9439 9020

www.solisproducts.com

