



SOLIS VENETIAN BLINDS

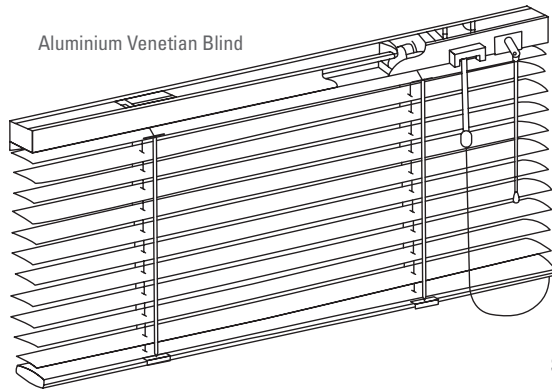
Solis Venetian Blinds – Exceptionally efficient window treatment that provides solar protection, thermal insulating and acoustic properties.

- ▶ Choose from our wide range of aluminium slat or our high quality hand crafted timber blades.
- ▶ All systems are extremely strong, light to operate and elegant in appearance.
- ▶ Solis Venetian Blinds can be fully motorised and programmed to close automatically in direct sunlight.
- ▶ Rust proof, high grade aluminium and premium select grade Western Red Cedar in combination with non-corrosive components provides long life as well as good looks, even in coastal environment.
- ▶ New to the range is Teknowood, economical solution, durable composite wood with a tough polypropylene finish.
- ▶ Design possibilities are endless with custom colour matching, oiled finishes, stained, lacquered, polypropylene and durable powder coated finishes available.

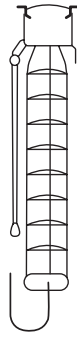


SOLIS VENETIAN BLIND SPECIFICATIONS

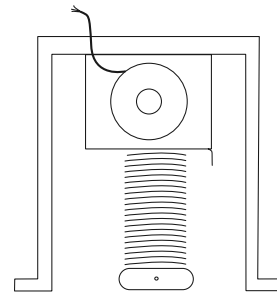
Please note illustrations are not to scale. All measurements are in millimetres. Please contact your Solis Products representative for additional information.



Aluminium Venetian Blind



Side View Aluminium Venetian



Venetian Head Box with motorisation

	ALUMINIUM VENETIANS	TIMBER VENETIANS
AVAILABLE SIZES	WIDTH 160 – 3300mm DROP 500 – 3200mm AREA 7.0 SqM	
SLAT/BLADES	WIDTH Micro 15mm/Slim 25 mm/Traditional 45mm THICKNESS 0.15mm MATERIAL Aluminium alloy with baked acrylic resin coating COLOURS 60 colours at present FINISHES	34/46/60/85mm 4.2mm cedar timber Western Red Cedar or Teknowood Wood Composite Staining, clear lacquer, dark lacquer, clear oil, painted, liming white
HEAD BOX	WIDTH 33/50mm HEIGHT 30/50mm THICKNESS 1.2mm MATERIAL Extruded aluminium alloy with fusion bonded polyester paint COLOUR COVER STRIP Slat enclosing head box	50/60/100mm 50/60/100mm Pressed Steel White or Brown 90mm x 5.5mm / Dulux 90mm x 5mm
BOTTOM RAIL	WIDTH Micro 15mm/Slim 25mm/Traditional 45mm DEPTH 10mm MATERIAL Extruded aluminium alloy with fusion bonded polyester paint COLOUR	34/46/60/85mm 17mm Matching with blind Timber accorns are used base rail
LADDER TAPE	MAX SPACING 500mm RUNG WIDTH 28mm OPTIONAL CONSTRUCTION Knitted yarn dyed polyester	Standard braided ladder Woven ladder tape in 7 colours NOTE: Closure not as tight as with standard braided ladder tape
ROTATION WAND	TYPE Clear plastic rod (no handle) COLOUR Clear (transparent) colour WAND LENGTH 750mm – 1800mm, 1500mm over 1800mm drop	
LIFTING CORDS	MATERIAL (BLIND CORD) Polyester 1.4mm diam. MATERIAL (SUB CORD) Polyester 2.2mm diam.	High strength polyester cords chosen for durability and has been UV treated. Pull cords can be left or right handed
CORD LOCK	TYPE Knurled brass pawl roller	Knurled timber pawl
MOTORISATION	OPTION A Motorised tilt and lift operation OPTION B Motorised tilt only with manual lift operation	Motorised tilt and lift operation Motorised tilt only with manual lift operation

H/O 190 Willoughby Road, Crows Nest NSW 2065 Australia P +61 2 9439 9020 F +61 2 9439 9223 E info@solisproducts.com
 NZ Studio 10-3/1 Cleveland Road, Parnell Axis Bldg, Auckland P +64 9 379 0374 F +64 9 379 0378 E info@solisproducts.com