



SOLIS ROMAN BLINDS

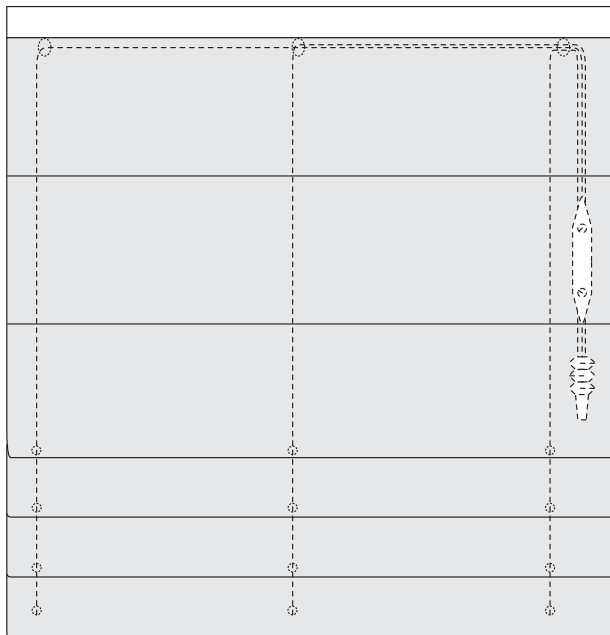
Solis Roman Blinds are extremely effective in minimising light penetration making this system ideal for bedrooms and living areas.

- ▶ With horizontal folds and a pleated effect, the Solis Roman Blind offers simplicity and a stylish appearance, complementing any decorating scene from antique, traditional, through to modern.
- ▶ Operated by light and smooth pull-cords, continuous b-chain mechanism or motorisation.
- ▶ Solis Roman Blinds can be "Soft Folded" or in the more formal look with stitched horizontal battens.
- ▶ Simplistic, clean and contemporary, Solis Roman Blinds feature exposed head and base rails in anodised or colour matched (optional).
- ▶ Extensive range of textiles are available including: Light Filtering, Blockout and Transparent textiles which provide sun protection without inhibiting the view.



SOLIS ROMAN BLIND SPECIFICATIONS

Please note illustrations are not to scale. All measurements are in millimetres. Please contact your Solis Products representative for additional information.



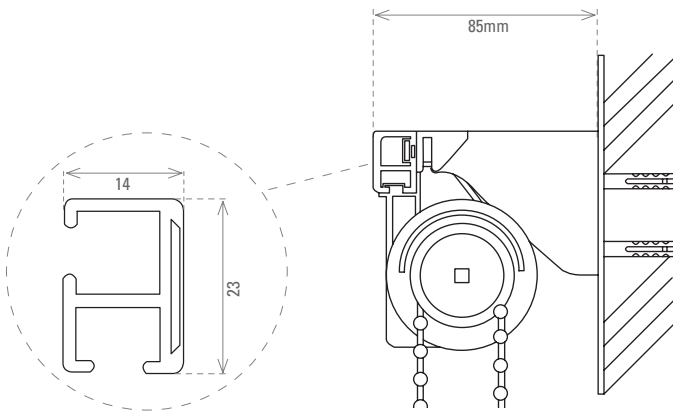
Standard Operation:
Cord Operation Roman Blind



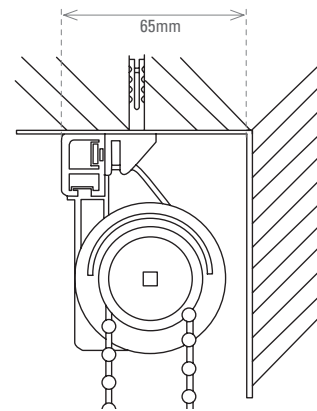
Optional Operation:
Crank Operated



Optional Operation:
Motorised Operation



Installation:
Face Fix Continuous B-Chain



Installation:
Top Fix Continuous B-Chain

WEIGHTS	
AVAILABLE	Weights up to 10kgs (Higher weights are achieved with motorisation)
OPERATION	
CHAIN OPERATION	Offering the exclusive geared down clutch, reducing the drawing effort
CORD LOCK	Designed to provide extremely efficient, yet simple operation
CORD CLEAT	Cord guides throughout for light to medium weight blinds using a cleat
MOTORISED	Concealed within system to provide a smooth and very quiet operation
HEADER	
PROFILE	Powder coated extruded aluminium that can be bent at 90° or arc bent for specialised installations
OPTIONAL	Exposed header profile available
FOLD DETAIL	
CONCEALED	Concealed plastic battens are discreet, providing a contemporary appearance
EXPOSED	Exposed battens with clear lacquered finish or in white. Or have the battens custom painted to suit your particular decor
BASE RAIL	
TYPE	Concealed within fabric pocket or exposed, anodised or custom painted round base bar available

H/O 190 Willoughby Road, Crows Nest NSW 2065 Australia P +61 2 9439 9020 F +61 2 9439 9223 E info@solisproducts.com
 NZ Studio 10-3/1 Cleveland Road, Parnell Axis Bldg, Auckland P +64 9 379 0374 F +64 9 379 0378 E info@solisproducts.com